

The State of Maryland



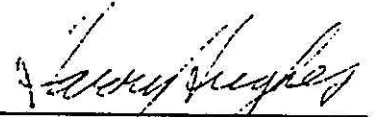
Proclamation from the Office of the Governor

EMERGENCY MEDICAL SERVICES WEEK

OCTOBER 11-18, 1981

- WHEREAS, Through the tireless and selfless efforts of emergency medical technicians, nurses and physicians, all Marylanders are assured of a superior level of emergency medical care; and
- WHEREAS, Through many years of research, dedication and service, Maryland has established an outstanding EMS system which has won world wide acclaim; and
- WHEREAS, It is fitting that our citizens recognize the 12,000 Emergency Medical Technicians, most of whom are volunteers, and our many medical and fire associates who devote themselves to administering the highest calibre of emergency medical care; and
- WHEREAS, It is important that all citizens become aware of how to properly access the EMS system and have a knowledge of basic life-saving techniques;
- NOW, THEREFORE, I, HARRY HUGHES, GOVERNOR OF THE STATE OF MARYLAND, do hereby proclaim October 11-18, 1981, as EMERGENCY MEDICAL SERVICES WEEK in Maryland, and commend this observance to all our citizens.

Given Under My Hand and the Great Seal of the State of Maryland,
this 5th day of August, In the Year of Our Lord,
One Thousand Nine Hundred and Eighty-One


Governor


Secretary of State





Emergency Medical Services

Maryland Region V Advisory Council

MEMORANDUM

To: EMS Week Committee
Regional Council Members
From: Nancy Haupt
Chairman
Subject: EMS Week Activities - Region V
Date: June 5, 1981

Attached is a summary of the ideas developed by the Region V EMS Week Planning Committee at its first meeting. The Committee felt that a central theme for the Week was important. It was also concluded that if VA and DC would also proclaim EMS Week - it would be much easier to gain media (especialy TV) coverage.

While the Committee's initial plans included a Large Regional Program at Central location such as Andrews Air Force Base, this may not be wise since the Metropolitan Fire Chiefs will have their field day at Andrews Air Force Base on September 26, 1981 and it will include many of the programs and displays the Committee had developed. An alternate suggestion is a county wide program focusing on similar topics at a local Mall. Calvert County will host a Patuxent River Appreciation Days Program October 10 - 11, 1981, and displays focusing on EMS at that program may be a good kick off to our Week.

I will present our preliminary plans to the Regional Council on their June 17, 1981 meeting. The next EMS Week Committee meeting will be Wednesday, June 24, 1981 at 11 am at:

Prince Georges Doctors Hospital
8188 Good Luck Road 301-552-9400
Lanham, Maryland 20801

Directions: Take 495/95 Beltway to 450 East toward Lanham, follow signs to hospital.

The hospital will serve a Luncheon, so Please RSVP to the Region V Office by June 18, 1981.

The EMS Week Committee of the Region V Council met on Thursday, May 28, 1981 at Prince Georges Doctors Hospital.

Members Present

Nancy Haupt, R.N.	Chairperson - P.G. Doctors
Steven Remsen, M.D.	(ACEP)- P.G. Doctors
Scott Whitney, MSP	Calvert EMS Council
Audrey Laurine, R.N.	PMH - Charles County
Mary Lou Hiortdahl, R.N.	PMH
Bridget Krizek, R.N.	EDNA
Pat Chernow, R.N.	EDNA
Eddie Simpson, CRT	PMH - Charles County
Jim Xinis	P.G.G.H./MC
Margaret Sissler	So. Md. Heart Assoc.
Jean Metzger	MIEMSS
Marie Warner	MIEMSS - Region V

Notification List

Jan Quarles	Suburban Hospital
Ellen Hewitt	St. Mary's County
Tom Oliver	St. Mary's County
Toni Crieghton	P.M.H.
Jim Miller	MEMTA
Keith Mallek	MEMTA
Beverly Sopp	MIEMSS
Captain Duncan Munro	Prince Georges County
Peter Anderson	Montgomery Heart Association
Darlene Burton	Southern Maryland Heart Assoc.

2.) Speakers Bureau Available for:

PT-As
Civic Associations
Ambulance/Fire Companies
Schools
Church Groups (SEE LIST ATTACHED)

3.) Local Ambulance/Rescue Company Activities

Demonstrations
Programs for Pre School, Elementary Schools
(Slide Tape Show to be accompanied by Ambulance demonstration)
B.P. Screenings
Other ideas currently being developed

Currently being explored or undertaken:

- 1.) EMS Week proclamations in Va. & D.C.
- 2.) Have EMS Week include:
 - E.D. Nurses Day
 - E.D. Physicians Day
 - MSP Medevac Day
 - EMT-A/CRT Day
- 3.) Posters with theme, etc. and blanks to write in local activities
- 4.) Bumper Stickers
- 5.) Bulk distribution of 911 stickers thru Rescue/Ambulance Squads
- 6.) Possibility of T-Shirt designed & available by mail order to providers prior to the program
- 7.) Logo



Emergency Medical Services

Maryland Region V Advisory Council

MEMORANDUM

To: E.M.S. Week Committee
From: Nancy Haupt *NH.*
Chairperson
Subject: E.M.S. Week Planning
Date: July 16, 1981

The concept of each County presenting a large E.M.S. Week Program was adopted by the Committee. It was further agreed that Regionwide activities would be the Speakers Bureau and Coordination of media coverage, particularly TV. Local activities throughout the Region will also be encouraged.

COUNTYWIDE ACTIVITIES PLANNED ARE:

October 10, 1981 - St. Mary's County - 10am - 4pm - County Fair Grounds
Parade - including fire apparatus, ambulances, floats on theme of
Week

Bands -

Awards Programs - for E.M.S. Providers and Parade Winners

Displays and Demonstrations

Mini Disaster - Extrication, Pre-Hospital Treatment, Medivac

Live Radio Coverage

October 10 - 11, 1981 - Calvert County

Part of the annual Patuxent River Appreciation Days -
which usually attracts 30,000 visitors from throughout the State
Will include - displays, the E.M.S. van, demonstrations,
extrication and rescue, Medivac

Coordinated by County E.M.S. providers, local law enforcement
and Maryland State Police

October 14, 1981 - Montgomery County

Since this is Emergency Department Nurses Day - A county wide
program on E.D. Nursing. Sponsored by EDNA and all hospitals
is tentatively scheduled as the major event

October 17 - (?) - Prince Georges County

A large, hospital based disaster with the public and Media invited, is planned.

October 17 - ~~(?)~~ - Charles County

An E.M.S. oriented health fair at a local Mall is tentatively planned. *afternoon program Thomas Stone H.S.*

A committee including Dr. Remsen, Jan Quarles, Phyllis O'Niell and Marie Warner will be working on Media coverage. We are aiming toward E.M.S. being the weeklong theme of the 6:00 pm News - along with features on local talk shows such as "Good Morning Washington" on E.M.S. related topics.

The Committee also agreed to approach a local company to make available E.M.S. Week tee shirts for providers. These will be royal blue with white lettering. The front will say, "Your Life Is Worth Our Time" with the logo selected (a clock with a normal sinus rhythm superimposed) and will read Maryland Emergency Medical Services Team on the back.

E.M.S. Week was also discussed at the Council of Governments meeting July 14, 1981. D.C. will consider proclaiming the Week at its E.M.S. Council meeting later in the month. While Virginia will not be able to participate as a state this year, Fairfax County is interested. Obviously our press coverage will be better from the Washington channels if the other jurisdictions participate.

Don't forget, the next committee meeting will be on Thursday, July 30, 1981 at 11:30 am at Prince Georges Doctor's Hospital. Luncheon will be served. Please RSVP to the Region V Office by July 24, 1981.

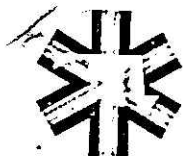
Directions: Take 495/95 Beltway to 450 East toward Lanham, follow signs to hospital.

E.M.S. WEEK COMMITTEE
6/17/81

*Nancy Haupt, R.N.
*Steven Remsen, M.D.
*Scott Whitney, MSP
*Audrey Laurine, R.N.
*Mary Lou Hiortdahl, R.N.
*Bridget Krizek, R.N.
*Pat Chernow, R.N.
Eddie Simpson, CRT
Jim Xinis
*Margaret Sissler
*Jean Metzger
*Marie Warner
*Jan Quarles
*Ellen Hewitt
Tom Oliver
Toni Crieghton
Jim Miller
Keith Mallek
Beverly Sopp
Captain Duncan Munro
*Peter Anderson
*Darlene Burton
*Phyllis O'Neill
*Kenneth Zseltsvay

Chairperson - P.G. Doctors
(ACEP) - P.G. Doctors
Calvert EMS Council
PMH - Charles County
PMH
EDNA
EDNA
PMH - Charles County
P.G.G.H./MC
So. Md. Heart Assoc.
MIEMSS
MIEMSS - Region V
Suburban Hospital, P.R.
St. Mary's County
St. Mary's County
P.M.H.
MEMTA
MEMTA
MIEMSS
Prince Georges County
Montgomery Heart Association
Southern Maryland Heart Assoc.
P.G. Doctors Hospital, P.R.
Montgomery County Fire Rescue Services

* present 6-17-81



R ADAMS COWLEY, M.D., DIRECTOR

Shock Trauma Center
CNS Center
Traumatology
Critical Care
Critical Care Nursing
Hyperbaric Medicine
Medical Engineering
Research & Development
Operations Research/
Systems Analysis
EMS Systems
Education
Training
Communications
Transportation
Administration
Evaluation

Region V E.M.S.
5408 Silver Hill Road, Suite 403
Forestville, Maryland 20747

MEMORANDUM

*Hey Folks!
It's really a
celebration - not a
formal meeting
Marie*

To: E.M.S. Week Planning Committee

From: Marie Warner *mfw mms*
Region V Coordinator

Subject: Reminder of the Dinner Meeting to be held by the
E.M.S. Week Planning Committee

Date: October 13, 1981

This is just a follow up to remind you that the E.M.S. Week Planning Committee will hold its final meeting to evaluate the Regional E.M.S. Week Program on Friday, October 23, 1981, with Cocktails at 6:30 pm and dinner at 7:30 pm. This will be a dinner meeting at:

DiGennaro's Restaurant
13308 Laurel Bowie Road (Route 197)
Laurel, Maryland 20708

Please RSVP to the Region V Office by Monday, October 19, 1981, (301) 735-5580 and indicate your choice of entree.

Prime Rib	Italian Platter (Lasagne, Veal Scalopine, Italian Meatball and Sausage)	Fishermans Platter (Shrimp, Crabcake, Flounder, Scallops and Oysters)
-----------	--	--

Served With: Salad bar, baked potato, french fries or Spagetti, rolls & butter, beverage

Directions: From Baltimore-Washington Parkway (295)
Exit on Route 197 toward Laurel (left turn
if your going North from Washington Beltway -
right if your coming South from Baltimore
Beltway) DiGennaro's is in the Town Center
Shopping Center on the left hand side of 197
at the intersection of Contee Road.

E.M.S. Week Activities

Maryland Region V (Suburban Washington/Southern Maryland)

October 10, 1981 - Maryland Statewide Emergency Care Competition
9 am - 4 pm Timonium Fairgrounds
Timonium, Maryland

Teams of Emergency Medical Technicians will be demonstrating their skills in patient care and competing for prizes.

Demonstrations of Auto extrication, high rise rescue (utilizing helicopters) and a variety of other demonstrations and displays will be presented.

Contact: Judy Krouse
Public Information
MIEMSS
22 South Greene Street
Baltimore, Maryland 21201
Phone Number: (301) 528-3697

Louis Jordon
Paramedic Training Officer
MIEMSS
22 South Greene Street
Baltimore, Maryland 21201
Phone Number: (301) 528-7800

October 10, 1981 - St. Mary's County Emergency Medical Services Day
St. Mary's County Fairgrounds
Route #5, 2 miles South of Leonardtown *Jeff L. Danne*

Events: Parade - including bands, floats and emergency equipment
A variety of displays and demonstrations including
Cardio Pulmonary Resuscitation, auto extrication
Awards Ceremony -
A mini disaster staged including helicopter
evacuation

Contact: Ellen Hewitt, RN
St. Mary's Hospital
P.O. Box 477
Leonardtown, Maryland 20650
Work Phone: (301) 475-8981
Home Phone: (301) 994-1358

October 10, 1981 - "The Next Disaster, Will you survive?????????"
10 am - 5 pm Wheaton Volunteer REscue Squad's Second Annual
Rescue Day.
Wheaton Plaza Shopping Center
Wheaton, Maryland

The day will include water rescue and rescue from heights demonstrations and will culminate in a mock airplane crash with MEDEVAC helicopter transport. CPR demonstrations and free blood pressure monitoring will also be available as well as displays of ambulances and equipment. For further information

Contact: Capt. Paul Friedlander
Wheaton Volunteer Rescue Squad
11435 Grandview Avenue
Wheaton, Maryland 20902
Phone Number: (301) 949-4044

October 11, 1981 - Bethesda Chevy Chase Rescue Squad's "Annual Rescue
10 am - 5 pm Day" at:
Battery Lane
Bethesda, Maryland

(October 18, 1981 will be the rain date)

Program will include demonstrations of:
Cardio Pulmonary Resuscitation
Rescue from Heights
Auto Extrication
Fire Fighting

October 10 - 11, 1981 - Patuxent River Appreciation Day
(Saturday - Sunday) Calvert Marine Museum
11 am - 6 pm Solomons, Maryland

- One segment of this annual program will feature E.M.S.

A tent will house all emergency services displays including volunteer ambulance and fire companies, Maryland State Police, Calvert County Sheriffs Department, and the State Emergency Medical Services System (E.M.S. display Van - Sunday only). Demonstrations on Auto Extrication (Using "Jaws of Life"), CPR, a mini disaster (tentative) and helicopter rescue.

Contact: Sgt. Scott Whitney
Maryland State Police
Calvert County Courthouse
Prince Frederick, Maryland 20678
Work Phone: (301) 535-1400
Home Phone: (301) 586-2139

October 12, 1981 - Montgomery Mall
12 noon - 8 pm Exhibits Concerning various aspects of the E.M.S.
System. Displays and exhibits will focus on
public information and utilization of the E.M.S.
System.

E.M.S. Week has been designated by proclamation of:
County Executive Charles Gilcrest

Contact: Jan Quarles
Director of Public Relations
Suburban Hospital
8600 Old Georgetown Road
Bethesda, Maryland 20014
Phone Number: (301) 530-3100

M. Brigit Krizek, RN
Montgomery General Hospital
18101 Prince Phillip Drive
Plney, Maryland 20832
Phone Number: (301) 340-3168

October 13, 1981 - P.G. County Disaster Exercise
Tuesday 7 pm Location: Eleonor Roosevelt High School
Greenbelt Road
Greenbelt, Maryland

This exercise will focus on a potential disaster at a large
public gathering with 50-100 victims triaged and transported
to the Areawide Trauma Center as well as 5 other County Hos-
pitals.

Contact: Steve Remsen, MD
Nancy Haupt, RN
Emergency Department
Doctors Hospital of Prince Georges County
8100 Good Luck Road
Lanham, Maryland 20801
Phone Number: (301) 552-9400

Phylis O'Neal
Director of Public Relations
Doctors Hospital of Prince Georges County
8100 Good Luck Road
Lanham, Maryland 20801
Phone Number: (301) 552-9400

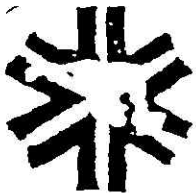
October 17, 1981 - Charles County E.M.S. Day -
11am - 4 pm Thomas Stone High School

1pm helicopter
Mike Smith

E.M.S. Day will include demonstrations by ambulance and fire departments, helicopters, local and state law enforcement (including SWAT team)

Contact: Audrey Laurine, RN
Emergency Department Supervisor
Physicians Memorial Hospital
701 E. Charles Street
LaPlata, Maryland 20646
Phone Number: (301) 870-3061

Mary Lou Hiortdahl, RN
Physicians Memorial Hospital
701 E. Charles Street
LaPlata, Maryland 20646
Phone Number: (301) 870-3061



Emergency Medical Services

Maryland Region V Advisory Council

MEMORANDUM

To: E.M.S. Week Planning Committee
From: Nancy Haupt *NH*
Subject: September Meeting
Date: August 27, 1981

The Committee will meet on Wednesday, September 9, 1981 at 9:00 am at Doctors Hospital of Prince Georges County to finalize plans for E.M.S. Week. The meeting will be in the main hospital - please come to the lobby - exact location will be posted. Continental breakfast will be served.

RSVP - Region V Office
301-735-5580

MARYLAND WILL CELEBRATE E.M.S. WEEK

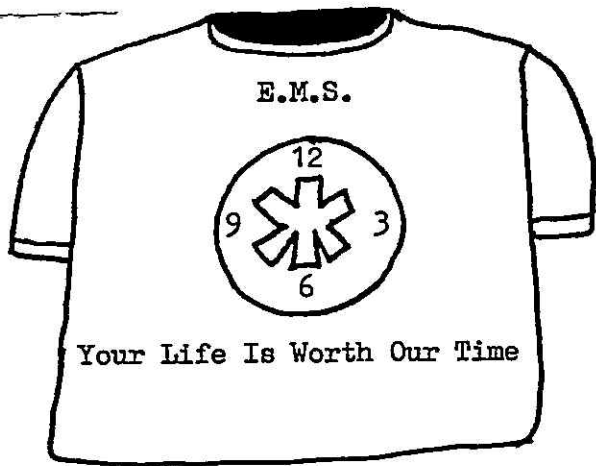
October 11-18, 1981

..... and the Region V E.M.S. Council has arranged with "FIRST IMPRESSION" to make special

E.M.S. WEEK TEE SHIRTS

available to providers to highlight the week's activities.

These TEE SHIRTS will be royal blue white lettering proclaiming "YOUR LIFE IS WORTH OUR TIME" the theme of this year's E.M.S. Week-as well as the Regional Logo on the front. The back will read "Maryland Emergency Medical Services Team".



ORDERING INFORMATION

- 1.) We request that bulk orders be placed by fire/ambulance companies hospital emergency department's etc.
- 2.) Orders must be received by September 10, 1981 to insure delivery prior to E.M.S. Week!
- *3.) Tax exempt number and copy of the tax certificate should accompany orders where applicable.
- 4.) Checks should be payable to "FIRST IMPRESSION".
- 5.) Orders should be sent to "FIRST IMPRESSION", Post Office Box 647, Columbia, Maryland 21045.

ORDER BLANK

<u>Quantity</u>	<u>Size</u>	<u>\$ 3.55</u>	Cost per Shirt
_____	Small (34-36)	_____	X number of shirts
_____	Medium (38-40)	_____	Total
_____	Large (42-44)	_____	+ 5% sales tax*
_____	X-Large (46-48)	_____	Amount Due

Ship To: _____
 Organization: _____
 Address: _____

 Attention: _____
 Phone #: _____

The experienced veteran of extrication rescue work can fully appreciate the versatility and dependability of the CECIL'S RIG and it's value to the Rescue Service in saving lives and reducing injury and suffering. Invented by a twenty year veteran of rescue work, the CECIL'S RIG is not intended to compete with existing rescue tools. The RIG is designed to work independently or in conjunction with other rescue tools. Used independently, CECIL'S RIG will perform more operations than any other tool available. When the RIG is used in conjunction with other tools the **efficiency and capability of the rescue squad is at a higher level than ever before.** CECIL'S RIG is particularly suitable for vehicle, agricultural and industrial rescue situations. To arrange for a demonstration of this innovative new tool please contact:

CHESCO ENTERPRISES, INC.

P. O. Box 266

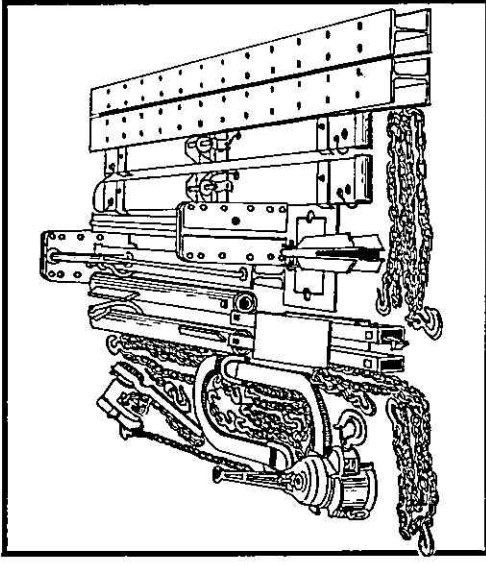
Oxford, Pennsylvania 19363

E. D. Troutman — (215) 932-2214

James P. Fisher, Jr. — (717) 529-2643

CECIL'S RIG

Rescue Pull and Lift Frame



Cecil's Rig pulls: doors, door posts, steering columns, roofs, dashes, body panels...

Cecil's Rig lifts: automobiles, farm tractors, industrial equipment — on soft or uneven ground; overturned or upright...

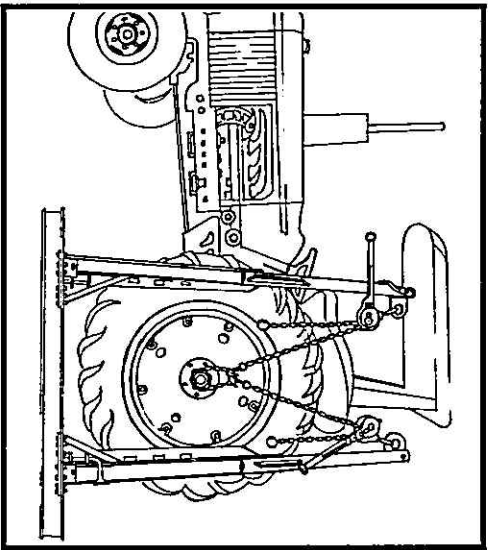
All hand powered — not a source of ignition; low noise level...

Versatile — may be assembled in a number of different ways to perform different operations...

Portable — basic frame breaks down into separate pieces for transport and storage...

Simple operation — two trained personnel can assemble and operate Cecil's Rig in approximately three minutes...

CECIL'S RIG



PORTABLE

Rescues that once waited for the arrival of wreckers or cranes can now be performed quickly and safely using the CECIL'S RIG. Unassembled, the RIG can be stored on the rescue vehicle and transported quickly to the scene of the emergency. The RIG can be assembled by two trained personnel in three minutes or less.

SAFE

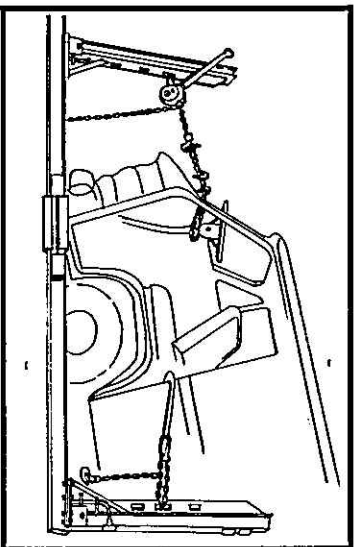
No heat. No sparks. No flames. No noise. No vibration. No flying metal or glass. Design techniques and quality materials used in construction assure that the load is secure and safe to work under and around. **The victim can be treated where found.**

DEPENDABLE

The CECIL'S RIG operates flawlessly; first time — every time. Unlike most power operated equipment, extreme weather conditions or extended periods of storage do not affect the RIG or make it unpredictable. Maintenance is simple and inexpensive.

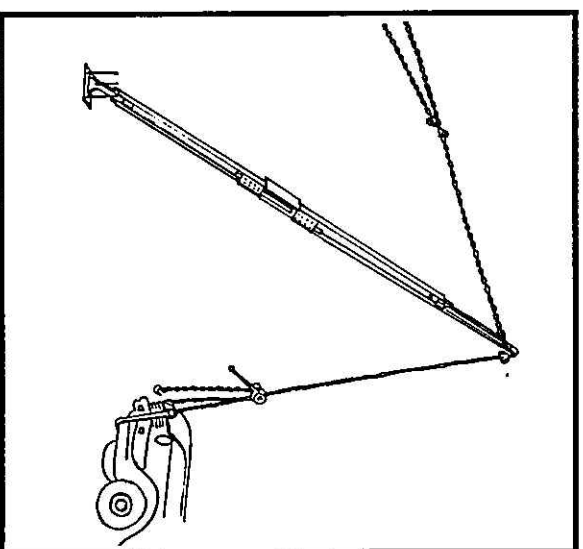
FAST

From the rescue vehicle to the completion of the operation takes two trained personnel, working together, less than three minutes.



UNIQUE

CECIL'S RIG will pull the dash or steering column of a snub nosed van or auto with extreme front end damage from outside the vehicle. This eliminates the danger of equipment slipping and injuring the victim or EMT. This and the ability to lift overturned farm tractors on soft or uneven ground are only two of the jobs performed exclusively by CECIL'S RIG.



GIN POLE

CECIL'S RIG may be assembled as a gin pole to enable the rescuer to reach out over an excavation or man hole in the same manner as a crane or wrecker. When used to lift something out of an unshored ditch the gin pole allows the down pressure to be exerted several feet back from the edge — where the ground is much less likely to cave in.

EASY TO USE

A vehicle can be handled easily using the two chain come-alongs supplied. A few basic set-up procedures must be learned and then the RIG'S use is limited only by the ingenuity of the user at the scene of the emergency.

Marylanders Celebrate EMS Week

Marylanders from the governor to school children, recovering trauma patients, and EMS providers celebrated EMS Week October 11^a through 18 with proclamations, disaster drills, special lectures, open houses, and exhibits. Governor Hughes's official proclamation recognizing "the tireless and selfless efforts of emergency medical technicians, nurses and physicians" was echoed in separate proclamations by many of the state's county executives. The week's activities gave people in each of the five EMS regions a chance to meet the professionals who make Maryland's EMS system work.

In Region I a feature article in the Cumberland Sunday Times focused on the people and resources that make EMS a successful team effort in Allegany and Garrett ~~counties~~. During the week, representatives from the region's 15 ambulance and rescue companies spoke to school and civic groups, and on Tuesday several companies as well as the Garrett County Central Alarm held open houses.

The Country Club Mall was the scene of displays and demonstrations by 16 area organizations on Thursday and Friday evenings and all day on Saturday. Prevention was a main focus, with KISS child restraints on display, free blood pressure screening by the American Red Cross, and American Heart Association tips on reducing the risk of cardiac disease. Kids found Sacred Heart Hospital's roving Mr. YUK someone to watch out for, but if they could tell dispatchers at the Civil Defense Department booth what 911 meant, they were rewarded with a prize. Maryland State Police representatives stressed the dangers of combining driving and drinking and showed how the mysterious breathalizer works. EMTs and CRTs from area companies demonstrated advanced life support, CPR, and rescue/extrication

techniques. "Price tags" on ambulance company displays reminded visitors that equipping these volunteer services is an expensive proposition--some \$40,000 per rescue truck and \$65,000 per ambulance.

Region II

EMS Week activities in Region II, Frederick and Washington Counties, also centered around shopping plazas. Members of the Critical Care Nurses Association and the Emergency Department Nurses Association talked with people at Hagerstown's Valley Mall; ambulance manufacturers had displays at Fredericktown Mall; and the American Heart Association and Jaycees demonstrated CPR at Fredericktown and Francis Scott Key Malls. The Frederick-based Maryland State Police helicopter was much in demand during EMS Week--so much so that Med-Evac missions prevented it from making two of three scheduled lunch-hour landings at shopping centers.

Area radio stations announced EMS events throughout the week, and WTHU in Thurmont aired a special interview with orthopedic surgeon Robert R. R. Roberts, M.D., first president of the region's EMS Advisory Council and a key figure in area EMS planning. Ambulance company representatives took their own safety message to school children as a follow-up to Fire Prevention Week, and Frederick Community College offered a free one-day "heart saver" course. A regional disaster drill, planned for October 18, had to be rescheduled for the spring because of inclement weather.

Region III

Special activities in metropolitan Baltimore (Region III) included the EMS Olympics, which kicked off the week's events, and the statewide EMS awards banquet (see separate articles). In addition, ambulance personnel in Baltimore City and several of the surrounding counties coordinated school visits with those of the fire-

men. Designated ambulances in Baltimore City were on call two hours a day not at the fire department but at ⁵ a local shopping center_X, where they passed out EMS literature and talked with people.

On Wednesday EMRC announced that a tank truck carrying hazardous chemicals had collided with several passenger cars in Catonsville. In all, 90 "victims" injured by fire, explosion, smoke, or chemical burns were treated at Bon Secours, Lutheran, St. Agnes, and University of Maryland Hospitals that morning. Both the victims, from Owings Mills and Lansdowne High Schools, and observers from the four hospitals evaluated the Southwest Disaster Committee's drill and pronounced it a success. The next drill is scheduled for the evening of April 21.

extra
→] Region IV]
On the Eastern Shore, Region IV, Salisbury TV channels 47 and 16 took evening news viewers through the Wicomico County Central Alarm and showed a mock cardiac emergency staged by local CRTs. The footage included prehospital care, telemetry, and transport. Attorney John Lancaster, director of the Governor's Office for Coordination of Services for the Handicapped and himself a paraplegic, spoke to an open meeting of the Trauma Recovery Group's Eastern Shore chapter on Tuesday at the Easton Public Library.

The Maryland State Police Aviation Division opened its hangar at Salisbury's Wicomico Airport to the public on Thursday. A slide-tape presentation gave visitors an overview of Maryland's pioneering civilian Med-Evac program. In addition to open houses at fire companies in Oxford, Chestertown, and Easton, the Dorchester General Hospital in Cambridge gave visitors morning and afternoon tours of its emergency department. A mock nuclear disaster drill, also staged at Dorchester General, involved county ambulance companies and other organizations responsible for interacting should such an emergency occur.

] Region V [

extra # → Special events were scheduled almost daily in Region V, suburban Washington and southern Maryland. St. Mary's County EMS Day, held at the county fairgrounds on the tenth, featured a parade, displays, and a ^minidisaster drill involving 2 cars, 10 victims, and 6 ambulance companies. Annual Rescue Days sponsored on Saturday and Sunday by the Wheaton Volunteer Rescue Squad and the Bethesda-Chevy Chase Rescue Squad included water and rooftop rescues, auto extrication, CPR demonstrations, and equipment displays. The Wheaton event culminated in a mock air crash with Med-Evac transport. EMS services also were fully represented at the weekend's Patuxent River Appreciation Days in Solomons.

More than a dozen EMS organizations took part in a day-long public information exhibit at the Montgomery Mall on Monday. On Tuesday students from Eleanor Roosevelt High School in Greenbelt were triaged, transported, and treated at the areawide trauma center or one of five county hospitals after bleachers "collapsed." The Prince Georges County disaster exercise was rated an excellent test of the EMS system.

Throughout the week, speakers from area hospitals, rescue squads, and organizations such as the Southern Maryland Heart Association, Red Cross, Emergency Department Nurses Association, and American College of Emergency Physicians were available to civic groups. Thirty-seven speakers bureau presentations were given during the week on topics ranging from how to utilize an emergency room to eye trauma and sports injuries.

Charles County's EMS Day, held on Saturday at the Thomas Stone High School, capped the week's Region V activities. Ambulance and ^fire companies, Maryland State Police Med-Evac personnel, and law enforcement officers (including a SWAT team) all showed people their

roles in saving and protecting lives.

extra # → If public and media ^{Response to EMS Week} response to the week's events is any indication, Marylanders clearly know that their EMS services are second to none. By the hundreds they took time to absorb the safety messages, ask questions about the sophisticated lifesaving equipment, and meet many of the unsung heroes who make this calibre of emergency care possible.

R.S.V.P. Donna Debus — (301) 528-7800

The
Maryland Institute for
Emergency Medical Services Systems
cordially invites you
to attend a special ceremony
honoring EMS week
Monday, October 12, 1981
6:00 PM cocktails
7:00 PM dinner
International Hotel
at
Baltimore-Washington
International Airport



MARYLAND EMERGENCY MEDICAL SERVICES WEEK October 11 - 18



Your Life Is Worth Our Time

EMS Olympics - Timonium Fairgrounds (October 10, 10 a.m.-4 p.m.)

The Olympics has been expanded to include sky divers, helicopter high-rise rescues, auto extrications (using the newest Hurst tool), and displays of the newest and best EMS equipment. Teams will be able to camp on the fairgrounds the night before, but tent spikes cannot be used. The teams will not need to bring any equipment to compete; all equipment will be donated for the day.

EMS Week - Media and Information

Information packages will be sent to all media in early September. Billboards and posters are being prepared to help publicize the event. In addition, cards will be distributed that instruct the public on what to do when an emergency vehicle is approaching, what to do at the scene of an accident, and how to summon help and render aid until EMS personnel arrive. The cards will be distributed to junior and senior high schools, malls, civic groups, stores and banks.

In the next issue, the activities for each county will be listed. The results of the school survey will also be ready.

Regional Activities

Region V is leading in a variety of activities - parades, fairs, media saturation. Region I will hold a banquet and an accredited educational program for physicians. Region II will have a major disaster exercise. Region III, of course, will be at work on the Olympics.

EMS Week

Region V originated the concept of a focus a day. The same concept will be followed for EMS Week.

- October 10 - EMS Olympics
- 11 - Fairs, Parades
- 12 - Banquet, EMTs/CRTs
- 13 - Med-Evac State Police Helicopter Pilots
- 14 - Emergency Department Nurses
- 15 - Emergency Physicians
- 16 - Statewide Communications
- 17 & 18 - Fairs, Parades

Judy Krouse will be coordinating the media efforts in the Baltimore and Washington areas.

MARYLAND EMERGENCY MEDICAL SERVICES WEEK

October 11 - 18



Your Life Is Worth Our Time

Governor Hughes will officially declare EMS Week this Saturday, Oct. 10, at the EMS Olympics being held on the Timonium Fairgrounds. Highlights include: 45 of Maryland's finest EMS teams competing and demonstrating their emergency medical skills in response to automotive, industrial and mystery accidents; hi-rise and helicopter rescues; sky divers and scuba divers.

KISS (Kids in Safety Seats) has donated five car seats to be raffled during the day. The American Trauma Society is supplying free balloons. Over 30 exhibitors will be displaying the newest in equipment and services. Food booths will be staffed by volunteers of the Baltimore County Fire Department Ladies Auxiliary. Rain or shine, it promises to be a great, fun-filled day.

And that is just the start: statewide, as you know, there are education programs underway. Hope you've seen the billboards designed to go with the posters, banners, public service announcements and cards. All to let the public understand better the importance of your skills and quick response time. The cards are being distributed through our regional system and central alarm dispatch centers.

REGION I

Radio and Television - Tri-State Report
October 11, TV Spots, Radio Programs
Cumberland News full page feature in the
Sunday paper, quarter page ad in newspaper
Country Club Mall Demonstration
Television Program on WHAG (Hagerstown) to be
aired October 12, 13 and 14
3-part series on WCBC - one on Advanced Life
Support and one on Trauma Service
Award presentations

REGION II

School visitation by local ambulance companies
is anticipated.
Five or six shopping centers and malls will be
used for public display.
Voluntary ambulance inspection offered.
A disaster exercise
Heavy emphasis on public education through the
local radio stations, the television station
and local high school newspapers is expected.
A heart saver course put on by the Frederick
Community College on October 17.

REGION III

Baltimore County - tie-in to Fire Prevention
Week, school system visitations
Baltimore City - Medic with ambulance at shop-
ping malls and centers all week - school
visitations, mini first aid talks
Anne Arundel - Annapolis: school program,
posters, newspaper support
Howard County - open house, Southwest disaster
drill, and, especially, hosting the EMS
Olympics!

REGION IV

Kent and Queen Ann Rescue Squad's Open House
The State Police Aviation Division, Salisbury,
Open House on October 15th
A stress management workshop at Peninsula
General Medical Center
Open House at Dorchester General Hospital at
Cambridge is being held by the Emergency Room
on the 13, 14, 15 and 16 at 10:00 a.m. 8:00 p.m.
Trauma Recovery Group on the Eastern Shore will
be having a Trauma Recovery Program

REGION V

St. Mary's County - County Fairgrounds Parade
Calvert County, part of the annual Patuxent
River Appreciation Days will include displays,
the EMS van, demonstrations, extrication and
rescue, Med-Evac
Montgomery County - Since this is Emergency
Department Nurses Day, a county wide program
on E.D. Nursing
Prince George's County - A large, hospital
based disaster with the public and media
invited
Charles County - An EMS fair at a local mall
and EMS Day at the high school
EMS Week T-shirts in the region and at the
Olympics
Eleanor Roosevelt in Greenbelt - The Collapse
of Bleachers; The Next Disaster Will You Sur-
vive by Wheaton Rescue Squad. They have a
variety of demonstrations.
Annual Rescue Day at Bethesda - Chevy Chase
Rescue Squad CPR Rescue and Auto Extrications

Throughout the state, county commissioners are joining Governor Hughes in proclaiming EMS Week. All regions are planning extensive media coverage, and MIEMSS sent media "background" packages to assist their efforts.

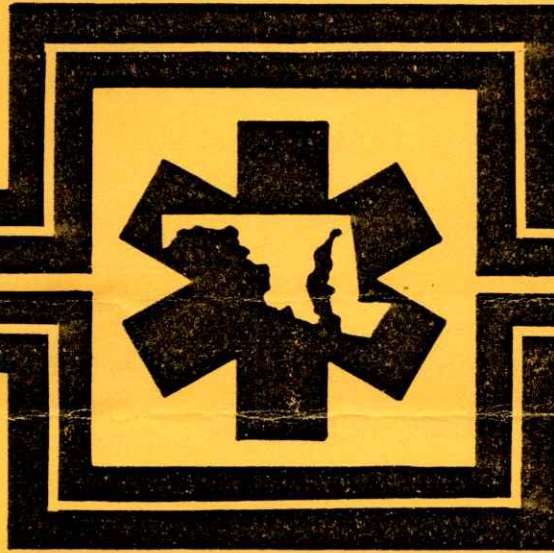
For the future: This summer, MIEMSS public affairs office summer intern surveyed Maryland schools with challenging results: While approximately 60% offer CPR and first aid to students and teachers, 80% responded as willing to improve their emergency health response systems, including student and teacher training in CPR and first aid. Only one of the surveyed offered up-dating, only 20% considered themselves more than adequately prepared, so there's a great opportunity to improve our liaison with the public.

*Survey done by Summer Intern Bonnie Waitsman, Emergency Health Service-200, University of Maryland, Baltimore County.

EMS WEEK BULLETIN 1981

MARYLAND EMERGENCY MEDICAL SERVICES WEEK

October 11 - 18



Your Life Is Worth Our Time

Emergency Medical Services Week will be declared by Governor Hughes for October 11-18, 1981. As you can see by our slogan, Your life is worth our time, our emphasis will be on the timely care EMS provides our Maryland citizens. All our efforts will be enhanced if each county also declares EMS week at this time.

We will start EMS week with the Maryland Statewide Emergency Care Competition, October 10, at Timonium Fairgrounds. (All companies sponsoring teams are reminded to send in their forms by August 15th.)

There will be billboards, brochures, public service announcements, cards and posters all coordinated to emphasize Your life is worth our time.

There will be special focus on CRTs/EMTs, Communications, Transportation (pre-hospital), EDNA & ACEP (hospital).

The Public Affairs Office is working with the Maryland Board of Education so our public schools will be aware of EMS week. This gives our hospitals and ambulance companies an opportunity to plan special assemblies and events for the schools during EMS week.

Also, we encourage all of you to seek opportunities to speak to civic groups, meet with the news media, give awards to both public citizens and EMS providers, put on displays at your hospitals, ambulance companies and in public malls.

MIEMSS will be supplying support material and efforts to assist you all in making this a bigger and better EMS week.

Please be sure to read the New York Times article attached, noting the paragraph headed: MARYLAND LEADS NATION. Justly earned praise for you all.

We are inviting EMS directors throughout the United States to join us in this week.

For further information or assistance, please call your Regional EMS office or Jean Metzger, MIEMSS Public Affairs Officer (528-3697).

1. Date set.
2. Governor's Proclamation secured.
3. Budget allocated.
4. Regions appoint EMS week subcommittee.
5. Theme adopted: Your life is worth our time.
6. Publicity planned.

General Focus: Team Effort

Specific Focus: October 10 - EMS Olympics
October 11 - Fairs, parades, etc.
October 12 - Med Evac
October 13 - EMT's/CRT's
October 14 - Emergency Departments Nurses
October 15 - Trauma Centers - A.C.E.P.
October 16 - Communications
October 17 - Parades, fairs, etc.
& 18

Media Support:

Press Releases

Public Service Announcements - Radio & TV

TV - we supply to subcommittee slides, visuals
suggested copy 30, 60 sec. - (EMS Council to do)

Radio - we supply 30 & 60 sec. copy - Local rescue squads
to do?

Billboards: Confirm space, get more if possible.

Posters: encourage use in high visibility areas.

Cards: for distribution by Councils, Squads to groups,
schools, etc.

7. Local Efforts Planned

1. EMS Fairs

Malls
Ambulance Companies
Hospital grounds

E.M.S. WEEK - October 11 - 17, 1981

Theme: "Your Life is Worth Our Time"

The men and women of the Emergency Medical Services System are dedicated to saving the lives of critically ill and injured in the field, in the emergency department and the Specialty Centers throughout the State.

Activities:

Region Wide: One large program of displays and demonstrations at a central location in the Region (Andrews Air Force Base of Marlboro Race Track) on Saturday, October 17, 1981.

To Include:

CRT demonstrations on Cardiac Cases
Trauma Triage and Pre Hospital care demonstrations
(with moulded victims, scenario, narrator etc.)
Medevac helicopter display
(MSP, Park Police, Ft. Belvoir)
CPR demonstrations
(with information on course enrollment, availability)
Extrication Rescue Display
Displays/Slide Tape/Lecture etc.
Heart Association
EDNA
ACEP
MIEMSS
Specialty Centers
Possibility of a Celebrity Speaker

County Activities:

- 1.) Regional Hospitals
 - Disaster Drill (full scale) at a local hospital
 - Lectures for public
 - Demonstrations for Screenings/Displays

2. Education

- a. speakers offered to schools, civic organizations and radio/TV newspaper interviews.
- b. Card on accident handling as hand-out.

3. Awards, certificates of appreciation:

- to citizens who helped in a heart attack or trauma.
- to outstanding people in Ambulance Companies, etc.
- to County Commissioners.

4. Support activities - T Shirts, Bumper Stickers, etc.

8. Bulletins going to all:

EMS Council members
Hospital E.D. & P.R.
Ambulance Companies

1st June 12
2nd August 7 (expected)
3rd September 11 (expected)

Contents will focus on your plans to date, ideas to stimulate more activity.